



**YANMAR**

MINI DUMPER

**C08**



**Engine**

YANMAR LN 100 AE

**Net power**

10 HP

**Operating weight**

560 kg

**Dimensions**

2150 x 810 x 1336 mm

# EFFICIENCY ON ALL



## COMPACTNESS

Total width reduced and small turning circle to fit through the narrowest areas. Length of only 2150 mm for an easy transport.



## DUMPING

High vessel capacity for a very compact machine. Dumping by the front. Ample dumping angle of the vessel: dumping in only one step, safely, even in slopes.



## ERGONOMY

Easy access to control levers and simple use. Access to operating position from either side. Very few vibrations transmitted to the operator. Integrated and protected document holder.



## ENGINE

Yanmar diesel engine, LN generation. Durable machine and pleasant to use thanks to its powerful engine.



## MAINTENANCE

Large engine hood opening, allowing optimum access. Daily control points positioned to facilitate maintenance operations. Secure 10-liter tank for an unmatched work autonomy.



## SAFETY

Lockable parking break lever. Protected, ergonomic and functional command board. Dual filter protecting the engine in order to work in hard conditions.



## RELIABILITY AND ROBUSTNESS

- 4 different versions for all types of applications : **POWER, POWER+, HI TIP, HI TIP+**
- High performance for demolition, renovation, agriculture and landscaping.
- Rubber crawlers do not damage the asphalt and offer an excellent adhesion on soft grounds.
- Undercarriage equipped with track rollers with pendular supports to compensate for different ground levels.



# TYPES OF GROUND



## COMPACTNESS

The Yanmar C08 is ideal for use on all type of grounds and offers versatility and productivity.

The size of the C08 allows it to work in extremely confined spaces, in which its width (810 mm for the standard version and 835 mm with self-loader) is a true asset.

It has an extremely solid track-mounted lower chassis and can climb steps or work on lose ground or in the snow.



## DUMPING

The C08 vessel capacity is important for a very compact machine:

- 0,45 m<sup>3</sup> heaped (POWER version)
- 0,36 m<sup>3</sup> heaped (POWER+, HI TIP, HI TIP+ versions)

Its dumping by the front is totally safe.

The high-tip models have an unloading height of up to 1500 mm, and can tip their loads into most types of skip, passing over fences and garden walls and onto raised work areas.

The specific form of the oscillating rollers facilitates the passage of the machines over rough terrain, while keeping the load stable in the skip. The C08 payload is 800 kg, which allows to cover a majority of works. It is designed for removing building materials and waste from worksites, and is equally suited to all kinds of materials transport.





## ERGONOMIC PILOT SYSTEM

The C08, accessible from either side, is very simple to use: the quick and easy start in every weather conditions and the precise and intuitive control levers improve the comfort of the operator.

The C08 offers convenient and precise travelling due to the hydrostatic transmission system and the vibrations felt by the operator are minimised.

These features reduce the operator fatigue after one working day.



## ENGINE

The C08 has a Yanmar diesel engine installed so as to minimise the vibrations felt by the operator, and equipped with an excellent hydrostatic transmission system with variable-flow injection pumps.

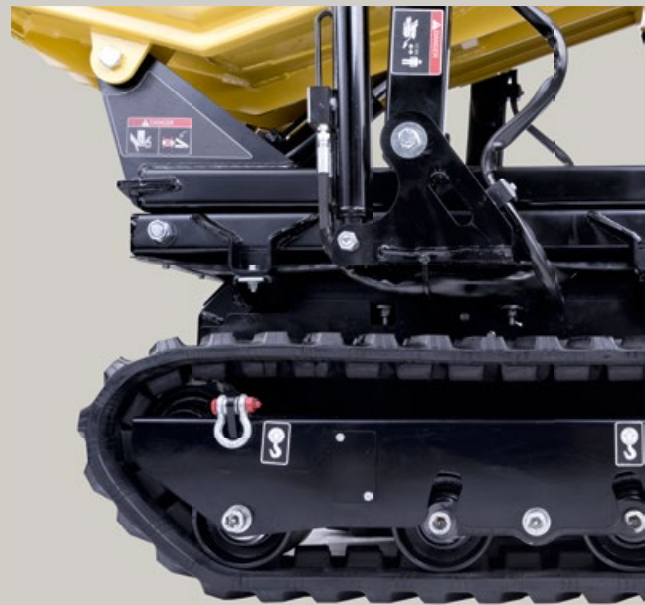
This system provides the specific combination of speed and power that operators are looking for.

The hydraulic systems of the skip and the self-loader are separated, so that their functionalities can be used while on the move.



## MAINTENANCE

Daily checks are facilitated through easy access to the maintenance points. The large engine hood opening, allowing optimum access to the main engine components and to the daily control points (water, engine oil, filters...) are positioned to facilitate the maintenance operations. Moreover, the dashboard is extremely user-friendly and intuitive. It offers the operator rapid familiarisation and maximum safety on the worksite.



## SAFETY

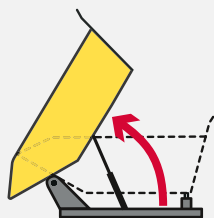
The C08 has a protected, ergonomic and functional command board equipped with hour meter, starter key and horn to maximise the operator safety on jobsites.

It is also equipped with a lockable parking break lever and a dual filter system protecting the engine in order to work in hard conditions.

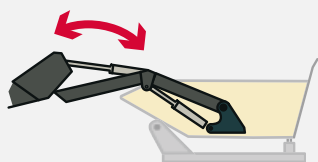


# EQUIPMENT

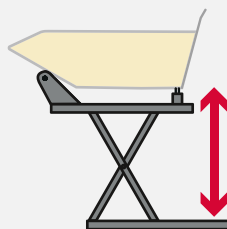
## Versions



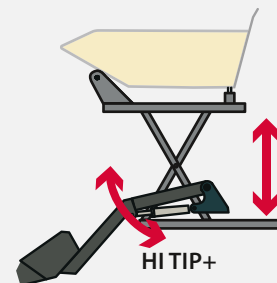
POWER



POWER+



HI TIP



HI TIP+

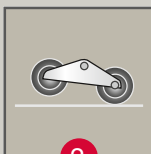
## Standard equipment:

Dual filter



1

Track rollers



2

Handbrake



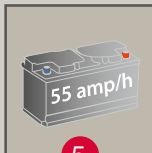
3

Steel wheels



4

55 AMP/H



5

10 LT



6

Power button



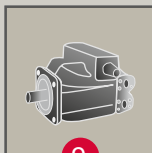
7

Hour meter



8

Pump with variable flow



9

Big bonnet



10

Radiator with electric fan

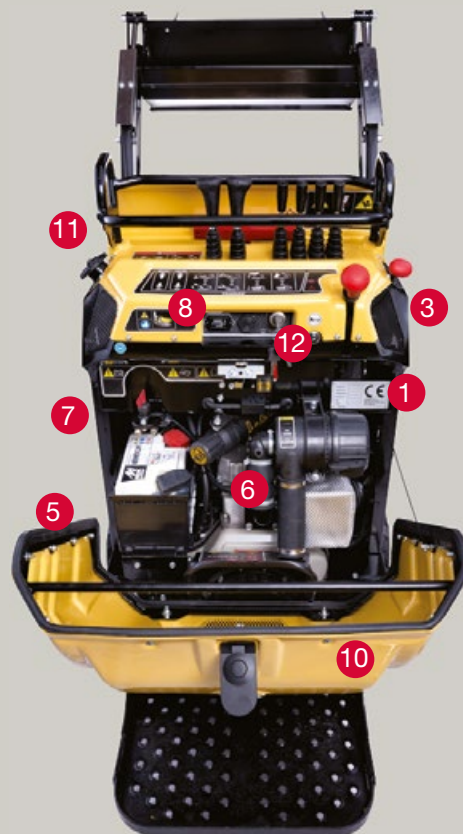


11

Electric starter

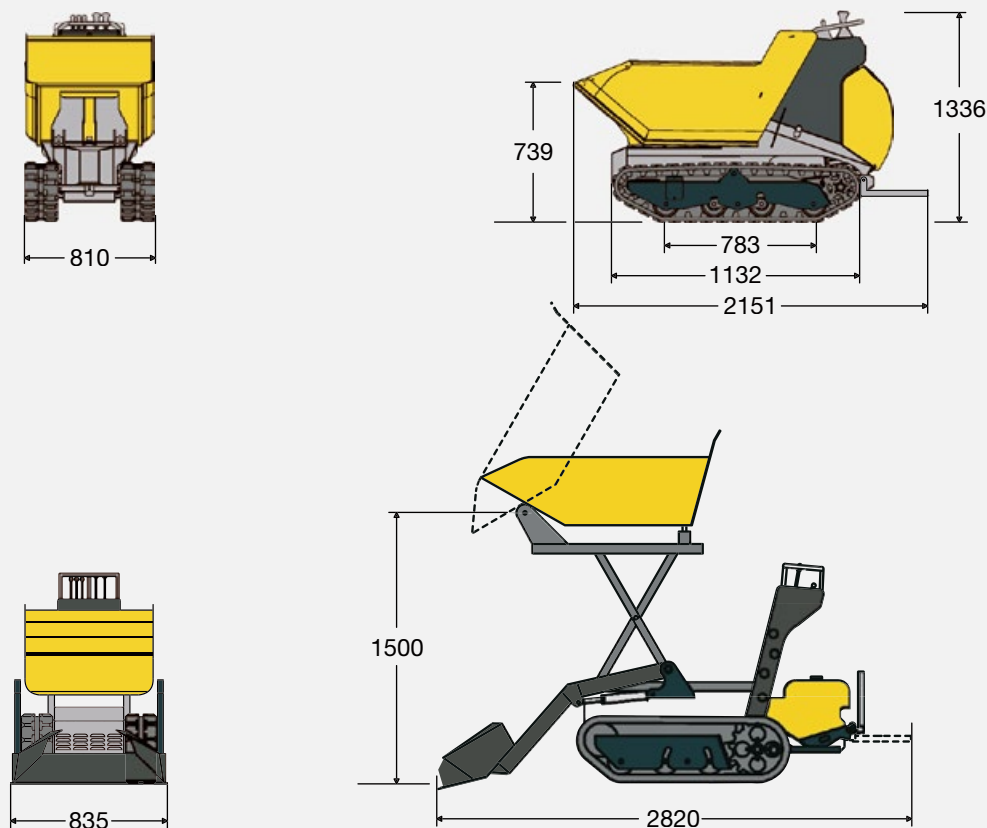


12





# TECHNICAL SPECIFICATIONS



Subject to any technical modifications. Dimensions given in mm.



## WEIGHT

	POWER	POWER+	HI TIP	HI TIP+
Operating weight	560 kg	665 kg	670 kg	770 kg



## ENGINE

Type	LN 100 AE
Fuel	Diesel
Net power	10 HP



## HYDRAULIC SYSTEM

Transmission	Hydrostatic
Hydraulic pumps	2 pumps with variable flow



## PERFORMANCE

Max. travelling speed	4 km/h
Payload	800 kg
Dump vessel capacity - struck (POWER)	0,34 m <sup>3</sup>
Dump vessel capacity - heaped (POWER)	0,45 m <sup>3</sup>
Dump vessel capacity - struck (POWER+, HI TIP, HI TIP+)	0,28 m <sup>3</sup>
Dump vessel capacity - heaped (POWER+, HI TIP, HI TIP+)	0,36 m <sup>3</sup>



## UNDERCARRIAGE

Track width	180 mm
Type	Track rollers



**YANMAR**



Printed in France – Materials and specifications are subject to change from the manufacturer without notice – Please contact your local Yanmar Construction Equipment Europe dealer for further information.

**Yanmar Construction Equipment Europe S.A.S.**

25, rue de la Tambourine  
52100 SAINT DIZIER – FRANCE  
contact@yanmar.fr

**[www.yanmarconstruction.eu](http://www.yanmarconstruction.eu)**