



**YANMAR**

MINI DUMPER

**C60**



**Engine**

YANMAR LA70

**Net power**

7,5 HP

**Operating weight**

415 kg

**Dimensions**

1680 x 695 x 1155 mm

## C60

## EFFICIENCY ON ALL TYPES OF TERRAIN

**COMPACTNESS**

Its compactness and its width (695 mm) allow it to work in extremely confined spaces. It has an extremely solid track-mounted lower chassis and can climb steps or work on loose ground or in the snow.

**SAFETY**

Protected, ergonomic and functional command board equipped with starter key and horn to maximise the operator safety.

**ERGONOMY**

Quick and easy start in every weather conditions. The precise and intuitive control levers improve the comfort of the operator. The C60 offers convenient and precise travelling due to the hydrostatic transmission system and the vibrations felt by the operator are minimised. These features reduce the operator fatigue after one working day.

**ENGINE**

Yanmar diesel engine, LA generation. Durable machine and pleasant to use thanks to its powerful engine.

**MAINTENANCE**

Daily checks are facilitated through easy access to the maintenance points. The large engine hood opening, allowing optimum access to the main engine components and to the daily control points which are positioned to facilitate the maintenance operations.

**DUMPING**

The vessel capacity is important for a very compact machine:

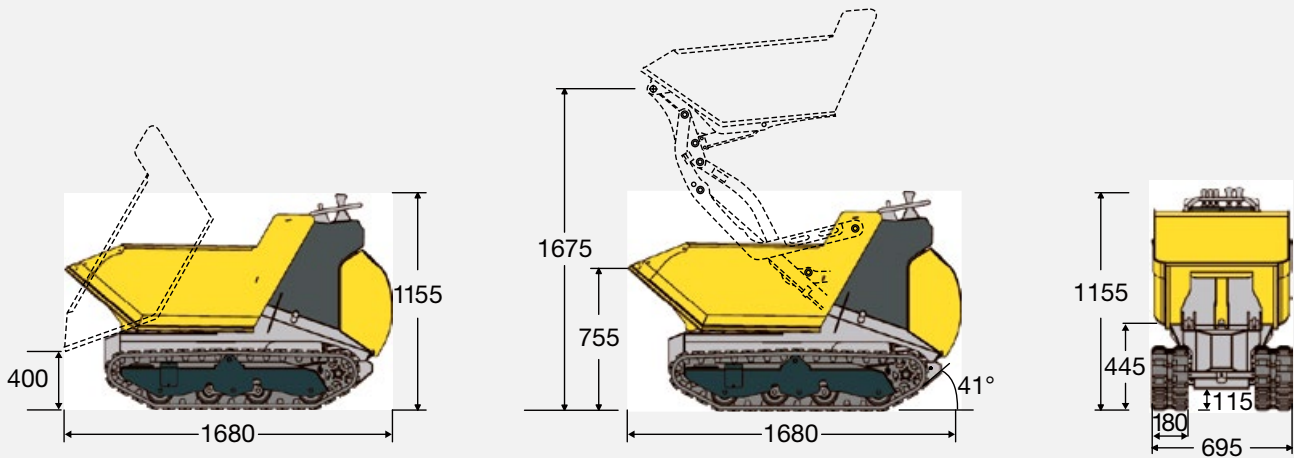
- 0,17 m<sup>3</sup> struck (Standard, Hi-Tip versions)
- 0,22 m<sup>3</sup> heaped (Standard, Hi-Tip versions)

Its dumping by the front is totally safe. It can tip its load into most types of skip and passing over fences and garden walls. The specific form of the oscillating rollers facilitates the passage of the machines over rough terrain, while keeping the load stable in the skip. It is designed for removing building materials and waste from worksites, and is equally suited to all kinds of materials transport.





# DIMENSIONS



Subject to any technical modifications. Dimensions given in mm.

## TECHNICAL SPECIFICATIONS



### ENGINE

Type	LA70
Fuel	Diesel
Net power	7,5 HP



### TRANSMISSION

Type	Hydrostatic
Hydraulic pumps	3 gear pumps
Flow	2 x 12 l/min + 1 x 14 l/min
Hydraulic motor	2 x orbital



### HYDRAULIC SYSTEM

Hydraulic pump	Gear pump
Standard flow	1 x 14 l/min
Maximum pressure	175 bars
Main valve Std type	4 ways
Oil cooler	Air
Tipping system	Hydraulic



### UNDERCARRIAGE

Track width	180 mm
Track rollers	4
Rocking rollers	Yes
Track tensioning	Yes



### PERFORMANCE AND DIMENSIONS

Travelling speed	0 – 3,6 km/h	
Payload	600 kg	
Weight without self-loading	Standard version	415 kg
	Hi-tip version	535 kg
Length	1680 mm	
Width	695 mm	
Height	1155 mm	
Dumping height	400 / 1675 mm	



**YANMAR**



Printed in France – Materials and specifications are subject to change from the manufacturer without notice – Please contact your local Yanmar Construction Equipment Europe dealer for further information.

**Yanmar Construction Equipment Europe S.A.S.**

25, rue de la Tambourine  
52100 SAINT DIZIER – FRANCE  
ycee-contact@yanmar.com

**[www.yanmarconstruction.eu](http://www.yanmarconstruction.eu)**