



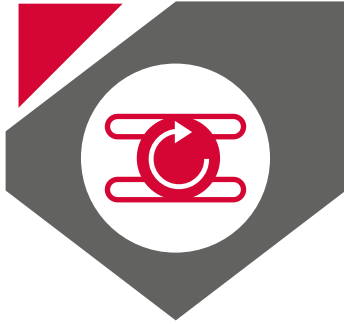
YANMAR

MINI-EXCAVATOR

ViO17U



| | |
|-------------------------------|------------|
| Engine | 3TNV70-XBV |
| Net power | 13,7 HP |
| Operating weight | 1765 kg |
| Digging force (bucket) | 15.2 kN |



> COMPACTNESS

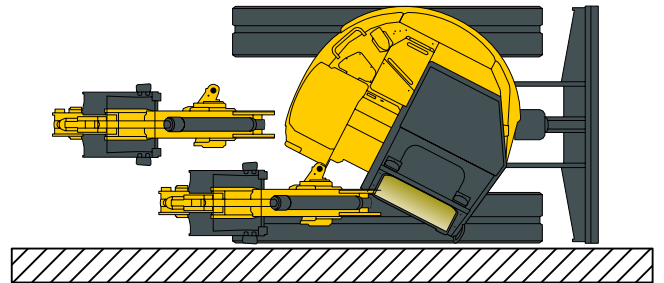
ViO17U

The Universal ViO17 is a real Zero Tail Swing machine: neither the counterweight nor the front part of the upper frame exceed the width of the crawlers.



Design principles

- > No rear overhang.
- > Front swing radius with boom swing: 1380 mm.
- > Rear swing radius: 640 mm.
- > Width of the machine reduced to 950 mm.



Advantages for the user

- > Possibility to work in narrow areas, where a conventional machine is not able to work.
- > Possibility to work along a wall.
- > No dead angle in the upper structure: maximum all-round visibility.
- > Safety and productivity for the operator.
- > Easier transport thanks to reduced width.
- > Operations are perfectly adapted to urban areas: the machine does not obstruct all lanes of traffic.



- > Retracted undercarriage to allow easier manoeuvre.



- > Extended undercarriage for better stability.

Variable undercarriage in width

- > The Universal ViO17 adapts itself according to the space available, due to its variable width from 950 to 1280 mm.
- > Extendable undercarriage of unique conception: clogged mud is easily pushed out thanks to sliding parts.

Simple folding extendable blade

- > Extensions are permanently on the blade.
- > No tools are necessary to install or uninstall them.
- > No risk to lose the blade extensions.



> HIGH PERFORMANCE

ViO17U

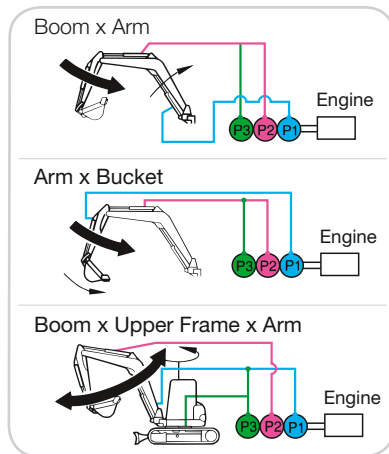


Combining long experience and unrivalled expertise, YANMAR's technology ensures environmental performance and high efficiency.

« VIPPS® » hydraulic circuit (ViO Progressive 3 Pumps System)



Hydraulic circuit fitted with a variable-flow dual piston pump, a gear pump and a multiple combination directional control valve:



- > Increased working speed due to the cumulative pump capacities.
- > Smooth, simultaneous operation of all functions, even when travelling.



Dual or single-action auxiliary circuit to work with a variety of accessories

A new-generation Yanmar "TNV" (Totally New Value) engine



Improvement and modernisation of TNE series, which is already well-known for its "clean and quiet" profile:

- > Reduced emissions for an even cleaner engine.
- > Noise reduction for an even quieter engine.
- > Improved starting (warms up faster).

The engine 3TNV70-XBV meets Stage II emissions regulations of the European Commission (EC).



Successful combination between the engine and the hydraulic system

- > Reduced fuel consumption.
- > Increased productivity.
- > Less exhaust fumes.

Weight and dimensions allowing easy transport on a trailer or in an utility vehicle

- > Transport weight: 1690 kg.





> COMFORT & SAFETY

ViO17U

All-round comfort and convenience. The Universal ViO17 is equipped with many easy to use features for a more performing work.

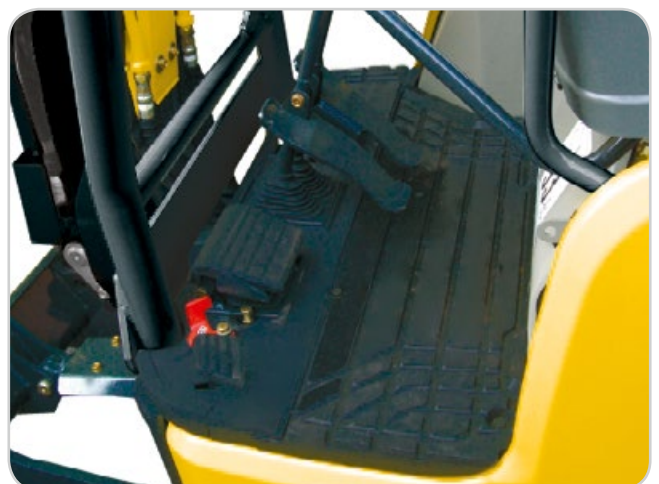
Maximum operator safety

- > Canopy and cabin meet the requirements of the strictest safety standards:
 - ROPS (Roll Over Protective Structure).
 - FOPS 1 (Falling Object Protective Structure).
 - TOPS (Tip-Over Protective Structure).
- > Large safety lever on access to control position: in the raised position it prevents all working movement and travel.



Spacious and ergonomic pilot system

- > Perfect position of joysticks, armrests and travel levers with pedals.
- > Separate pedals for using the auxiliary power take-off line and boom offset.
- > Comfortable, multi-adjustable seat.
- > Access possible from both sides.
- > Integrated working lamp.



> RELIABILITY & ACCESSIBILITY

ViO17U



Simple maintenance structure for fast and easy access wherever it's needed.



Bucket, arm, boom and blade cylinders completely protected (rod and cylinder) by highly elastic steel plates to resist any possible shocks.



> The blade hydraulic cylinder is covered by a protective shield.

> Careful routing of hydraulic pipes in the center of the upper frame and on the boom: perfect protection.



> Large rear bonnet allowing access to all engine components and hydraulic pumps.



> Layout of the counterweight designed to protect the side panels against any possible shocks.



> TECHNICAL SPECIFICATIONS

Vi017U

Engine

Yanmar Diesel 3 cylinders 3TNV70-XBV
 Rated Output 10.1 kw / 13.7 HP / 2200 rpm
 Displacement 854 cm³
 Max. torque 47.8 ~ 52 N.m. / 1600 rpm

Hydraulic circuit

System capacity 26.5 l
 Max. pressure 210 / 170 bar
 2 variable displacement piston pumps 2 x 17.6 l/mn
 1 gear pump 1 x 13.2 l/mn

Performances

Travelling speed 2.1 / 4.3 km/h
 Swing speed 9.5 rpm
 Digging force arm 870 kgf
 Digging force bucket 1550 kgf
 Grade ability 30°

Undercarriage

Ground pressure 0.29 kg/cm²
 Shoe width 230 mm
 Ground clearance 175 mm
 Blade (width x height) 950 / 1280 x 255 mm

Miscellaneous

Fuel tank 20 l
 Cooling system 3.2 l
 Transport dimensions (L x w x h) 3450 x 950 x 2370 mm
 Noise level (2000/14/EC & 2005/88/EC) 93 dBA

Optional equipments

- > Special paint
- > Prolongation of the 3rd circuit to arm end
- > Anti-theft device (with keyboard / with key)
- > Quick couplers on the 3rd circuit
- > Beacon light
- > Mechanical quick hitch
- > Standard, ditch cleaning and swivelling buckets
- > Hydraulic breaker

| PTO | Theoretical data at 2200 rpm | |
|-----|------------------------------|---------------|
| | Pressure | Oil flow |
| | 0 ~ 210 bar | 30.8 ~ 0 l/mn |
| | 0 ~ 210 bar | 30.8 ~ 0 l/mn |

> The output reduces as the pressure increases.



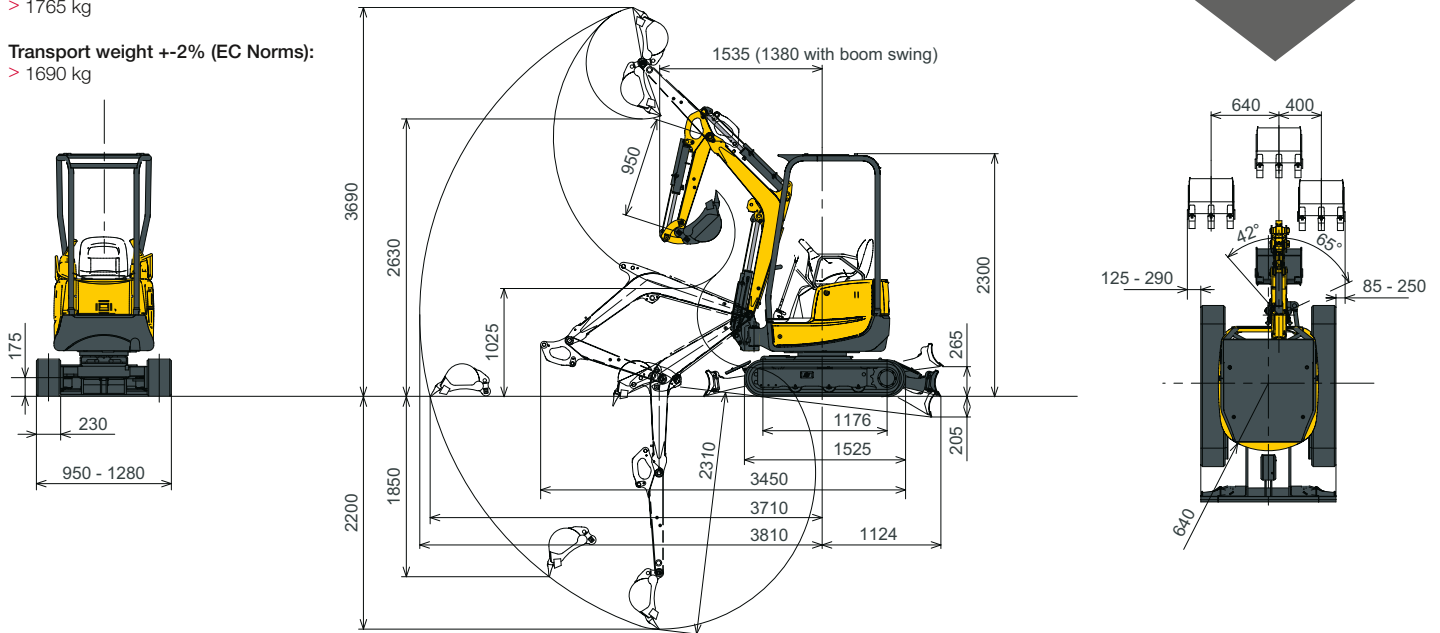
TECHNICAL SPECIFICATIONS

Vi017U



Operating weight +-2% (EC Norms):
> 1765 kg

Transport weight +-2% (EC Norms):
> 1690 kg



Subject to any technical modifications. Dimensions given in mm with standard Yanmar bucket.

Blade on ground

| A | Maxi | | | 2.5 m | | | 2.0 m | | | C |
|------|------|-----|------|-------|-----|------|-------|-----|------|---|
| | W | N | | W | N | | W | N | | |
| 2.5 | *330 | 180 | *330 | - | - | - | - | - | - | |
| 2.0 | 235 | 135 | *335 | *315 | 200 | *305 | - | - | - | |
| 1.5 | 210 | 122 | *345 | *365 | 195 | *365 | *360 | 300 | *420 | |
| 1.0 | 195 | 110 | *360 | 295 | 175 | *445 | 435 | 255 | *590 | |
| 0.5 | 195 | 110 | *370 | 295 | 170 | *520 | 415 | 235 | *735 | |
| 0 | 200 | 110 | *380 | 280 | 160 | *550 | 390 | 220 | *760 | |
| -0.5 | 220 | 130 | *405 | 280 | 160 | *540 | 395 | 235 | *730 | |
| -1.0 | 260 | 150 | *420 | - | - | - | 265 | 230 | *675 | |
| -1.5 | *390 | 240 | *390 | - | - | - | - | - | - | |

Machine with canopy, rubber crawlers, without bucket.

A: Overhang from rotational axis (m).
 B: Height of hooking point (m).
 C: Safe working load (kg).
 N: Retracted undercarriage.
 W: Extended undercarriage.

Blade above ground

| A | Maxi | | | 2.5 m | | | 2.0 m | | | C |
|------|------|-----|------|-------|-----|------|-------|-----|------|---|
| | W | N | | W | N | | W | N | | |
| 2.5 | 285 | 170 | 275 | - | - | - | - | - | - | |
| 2.0 | 230 | 135 | 220 | *315 | 195 | *315 | - | - | - | |
| 1.5 | 205 | 120 | 195 | *365 | 190 | *365 | *420 | 295 | *420 | |
| 1.0 | 190 | 110 | 180 | 290 | 170 | 290 | 425 | 245 | 405 | |
| 0.5 | 190 | 105 | 175 | 285 | 165 | 285 | 410 | 230 | 385 | |
| 0 | 195 | 110 | 180 | 275 | 160 | 275 | 380 | 210 | 355 | |
| -0.5 | 220 | 120 | 205 | 270 | 155 | 270 | 380 | 230 | 350 | |
| -1.0 | 260 | 145 | 240 | - | - | - | 395 | 225 | 370 | |
| -1.5 | *390 | 235 | *390 | - | - | - | - | - | - | |

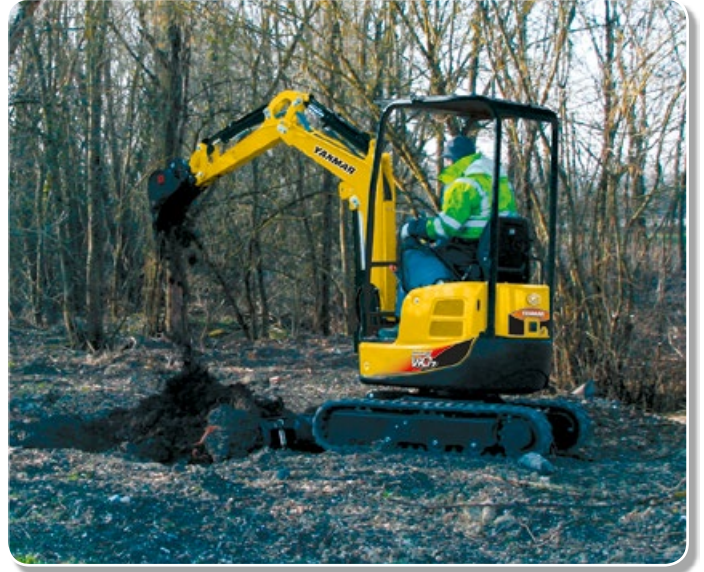
Tipping load, rating over front.

Tipping load, rating over side 90°.

The data contained in these tables represent the lifting capacity in accordance with ISO standard 10567. They don't include the weight of the bucket and correspond to 75 % of the maximum static tipping load or 87 % of the hydraulic lifting power. Data marked * are the hydraulic limits of the lifting power.



YANMAR



Printed in France – Materials and specifications are subject to change from the manufacturer without notice – Please contact your local Yanmar Construction Equipment Europe dealer for further information.

Yanmar Construction Equipment Europe S.A.S.

25, rue de la Tambourine
52100 SAINT DIZIER – FRANCE
contact@yanmar.fr

www.yanmarconstruction.eu