

804

Telehandlers < 6,0 m



Big performance in the smallest spaces: The telehandler 804

Check out the smallest telehandler on the market - the compact 804. The unique combination of lifting height, width and machine performance opens up new areas of application. With its all-wheel steering and compact design the 804 is extremely manoeuvrable. The 804's low operating weight makes it easy to transport between construction sites.

- Over 4 meters of lift height
- Small turning radius
- Innovative driver assistance system: Smart Handling
- Low net weight for easy trailer transport
- For application in confined spaces (width 1.42 meters; height 1.9 meters)

804

Telehandlers < 6,0 m

Technical specifications

Operating data

Operating weight	2,270 kg
Turning radius Tyres	2,227 mm

Engine / Motor

Engine / Motor manufacturer	Yanmar
Engine performance at 3,000 rpm	19.2 kW

Power transmission

Traction drive	Hydrostatic
Travel speed Stage 1:	7 km/h
Travel speed Stage 2:	17 km/h
Service brake central	Parking brake on all four wheels effective
Standard tires	27 x 10.0-15 AS ET20

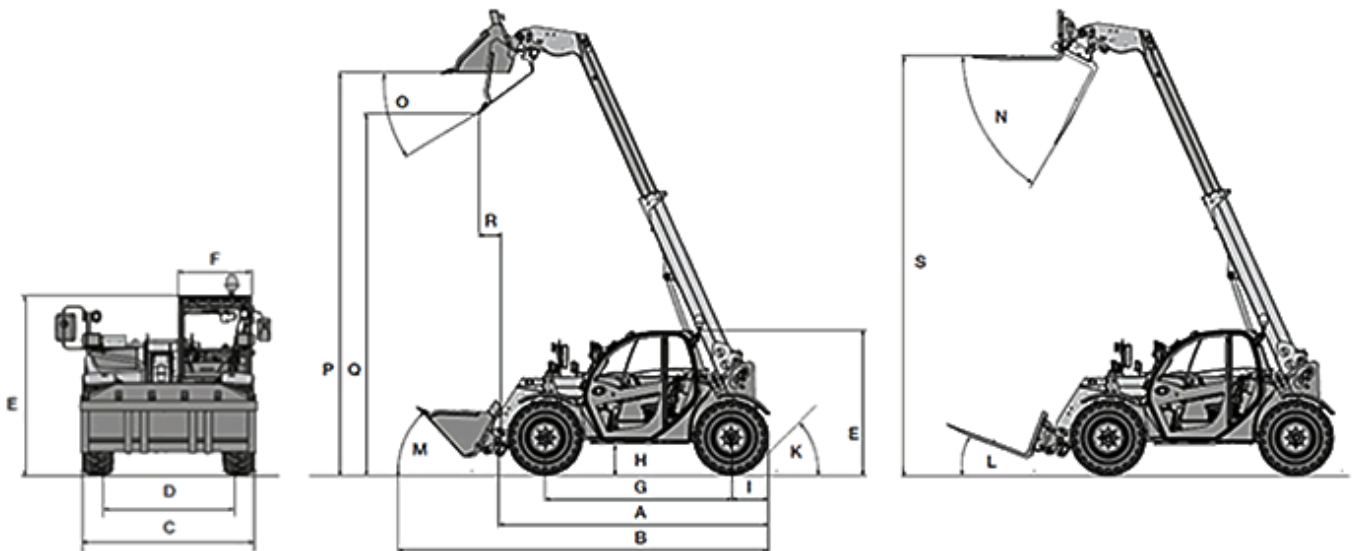
Steering and operating hydraulics

Steering angle max.	2 x 38 °
Flow rate	33 l/min

Kinematics

Payload max.	800 kg
Lift height Pin height	4,145 mm

Dimensions



A	Length incl. tool frame	2,717 mm
B	Length with standard bucket	3,554 mm
C	Width max.	1,413 mm
D	Track width	1,252 mm
E	Height	1,900 mm
G	Wheelbase	1,796 mm
H	Ground clearance	223 mm
I	Center of rear axle to end of vehicle	343 mm
M	Tipping angle Standard bucket below	44 °
P	Overhead loading height	3,799 mm
Q	Dumping height	2,244 mm
R	Dump reach	533 mm

Information on suitable accessories can be found on our website.

The right to make changes is reserved in the interests of ongoing further developments. You can find more information on the engine power in the operator's manual. The actual power output figures may vary due to specific operating conditions.

Information on suitable accessories can be found on our website. More detailed information on engine power can be found in the operator's manual; the stated power may vary due to specific operating conditions. Subject to alterations and errors excepted. Applicable also to illustrations. Copyright © 2015 Kramer-Werke GmbH.